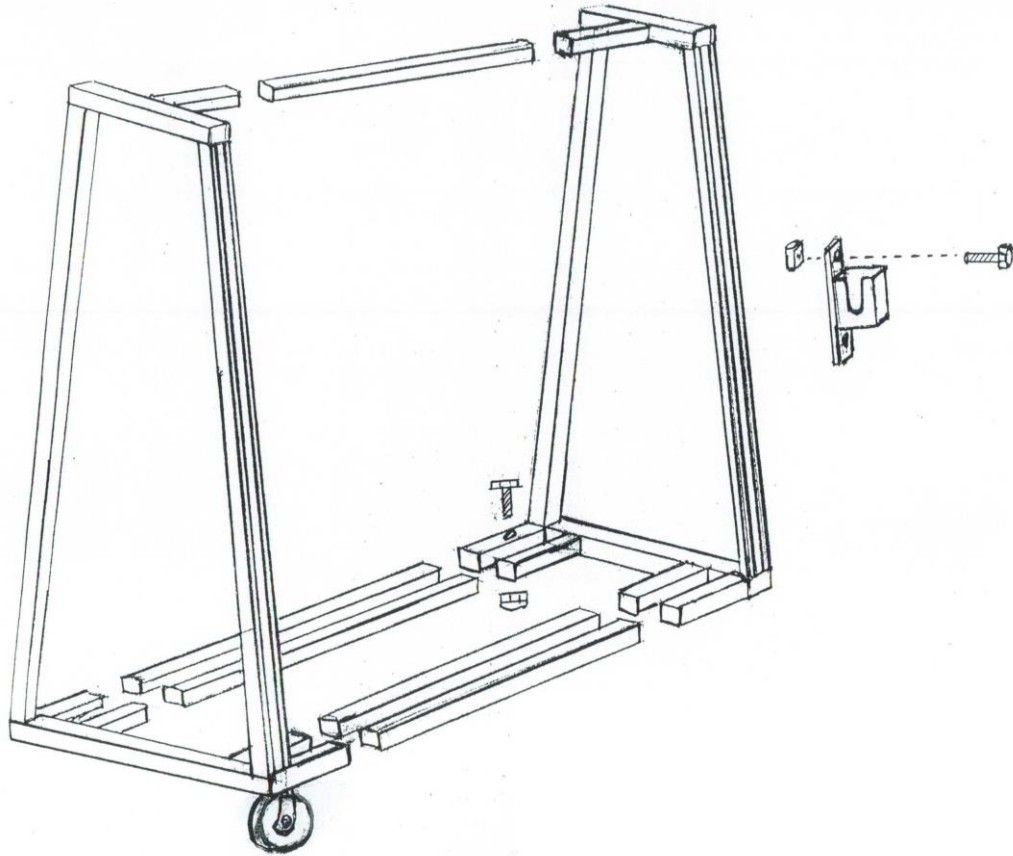




UNICRAFT
Corporation



ASSEMBLY INSTRUCTION

Unicraft Cloth Unwinding Truck (“A” Frame) UMH-2000

1. Unpack the Cloth Unwinding Truck and check that the following items are included:
 - 2 Side frames with casters
 - 5 Cross bars
 - 20 Bolts
 - 20 Nuts
 - The required quantity of cloth bar support brackets with 2 sets of Unistrut nuts and bolts each
 - The required number of cloth bars
2. Make sure that all casters attached to the side frames have brakes set in the LOCKED position.
3. Place one side frame on the floor with the protruding square tubes facing up.
4. Insert the crossbars into the square tubes on the frame, place the bolts through the tubes and the crossbars, and tighten the nuts from the bottom side of the truck.
5. Stand the side frame with the attached crossbars in the upright position, with the ends of the lower crossbars resting on the floor. Release the breaks of the casters to the UNLOCKED position.
6. Stand the other frame leaning against a wall (or have another person hold it in the upright position), and pull to it the frame with the crossbars, inserting the crossbars into the tubes of the frame. Insert bolts and tighten all nuts.
7. Insert 2 bolts into the cloth bar support bracket, and screw in loosely Unistrut nuts to each bolt as in the drawing (if brackets are not supplied with the pre-attached bolts and nuts). Make sure that the ribbed grooves on the nuts face the bracket.
8. Insert the Unistrut nuts, attached to the left brackets, into the left side Unistrut “U” channel, place the bracket at the desired location on the channel, and tighten the bolts. Repeat this for the right brackets on the right side channel.
9. Place the cloth roll bars into the brackets. Tighten all bolts and nuts.

Your Cloth Unwinding Truck is now ready to use. Thank you for choosing Unicraft Products.

Unicraft Corporation
3640 Northwest 52nd Street, Miami, FL 33142
Ph: (305) 633-4945 Toll Free 1-888-888-0616 F: (305) 633-4866
unicraftcorp@bellsouth.net www.unicraftcorp.com